

SPEED DOME CAMERA DOH-240SE

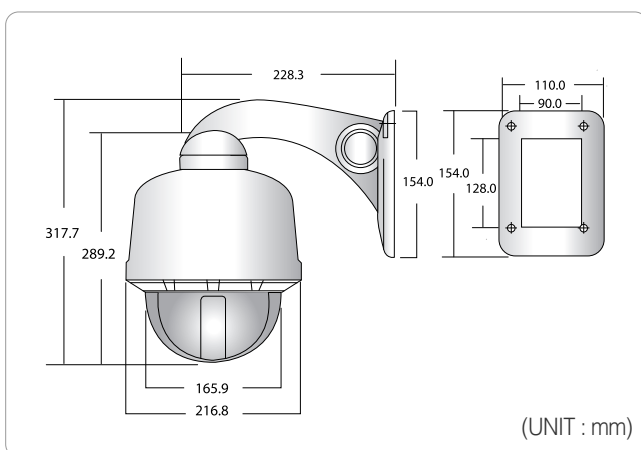


**324X ZOOM, 550TVL
TDN, 0.00005Lux**

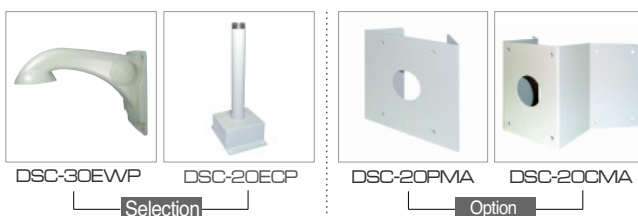
FEATURES

- 410K Pixel, 1/4 " SONY Super HAD CCD, Horizontal resolution : 550 TVL(Color), 680TVL(B/W)
- 27x Auto Focus Optical Zoom, 12x Digital Zoom with Infrared Cut filter removal Day & Night
- Digital Slow Shutter (Min. illumination 0.00005Lux), Digital image stabilizer(DIS)
- Auto Flip (Automatically 180° Turning), Protection for Low Voltage, Weather-proof(IP66)
- A variety of surveillance with Swing(2), Presets(250), Group(8), Tour, Trace, Spiral, Alarm (4In/1Out)
- Suits for Crime Prevention, Factory, Military Base

DIMENSIONS



OPTIONAL ACCESSORIES



SPECIFICATIONS

MODEL	DOH-240Se	
Signal system	NTSC	PAL
Image sensor	1/4" Sony HAD CCD	
Effective pixels	768(H) × 494(V)	752(H) × 582(V)
Horizontal resolution	Color : 550 TV lines(Min) / B/W : 680TV lines(Min)	
Lens	27x Optical zoom, f=3.5-94.5mm	
Digital zoom	12x (Total zoom 324x)	
Angle of view	H : 55.5° (W) to 2.24° (T), V : 42.5° (W) to 1.79° (T)	
Minimum illumination	0.5 Lux @F1.6 (Normal Color Mode)	
	0.1 Lux @F1.6 (B/W Mode)	
	0.00005 Lux @F1.6 (Sens-up Mode)	
Luminance S/N ratio	More than 50dB (AGC off)	
Video output	1 Vp-p Composite video output 75Ω	
Focus mode	Auto / Manual / Oneshot	
Back light	Off / Low / Middle / High	
DIS	On / Off Selectable	
Shutter speed	1/60-1/120,000 sec	1/50-1/120,000 sec
White balance	Indoor / Outdoor	
Alarm in/out	4 Inputs / 1 Relay Output	
Pan/Tilt angle	360° Endless / 92°	
Pan speed	0.1° ~ 180°/sec (64 Levels)	
Preset point	250 Presets	
Preset Speed	Max 180°/sec (64 Levels)	
Communication system	RS-485 / 422	
Operating temperature	-40°C ~ 50°C (-40°F ~ 122°F)	
Storage temperature	-5°C ~ 60°C	
OSD	Built-in	
Operating humidity	Less than 100%RH	
Dimensions	216.8(Diameter)mm × 289.2(Height)mm	
Weight	About 5.2Kg (Without adaptor)	
Construction	Aluminum body, Clear vandal bubble (PC)	
Power consumption	21W (Max)	
Power supply	AC24V, 60/50 Hz	