

MINI SPEED DOME CAMERA DMS-200SE

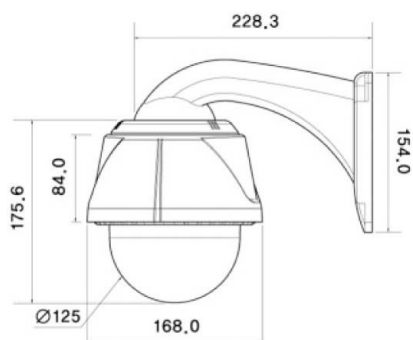


100X ZOOM
TDN, DNR

FEATURES

- 410 K, 1/4" Interline Transfer Sony CCD
- 10x Optical Zoom, 10x Digital Zoom(Total Zoom x100)
- Horizontal resolution of 520 TVL at color mode and 570 TVL at B/W mode
- Day & Night (ICR), Digital noise reduction (SSNR), Smart zoom
- 250 Preset Positions, Swing, Group, Spiral, Auto Flip, Alarm
- Privacy Zone Masking (4 Zones), Weather Proof(IP66)

DIMENSIONS



(UNIT : mm)

SPECIFICATIONS

MODEL	DMS-200Se	
Signal system	NTSC	PAL
Image sensor	1/4" Interline Transfer CCD	
Effective pixels	768(H) × 494(V)	752(H) × 582(V)
Horizontal resolution	More than 520 TVL, B/W 570 TVL	
Lens	10x Optical zoom, f=3.8-38mm, F 1.8	
Digital zoom	10x (Total zoom 100x)	
Angle of view	Approx 51.2° (Wide), Approx 5.58° (Tele),	
Minimum illumination	0.7 Lux , 0.0007Lux(D&N), 50IRE Luminance	
Luminance S/N ratio	More than 50dB	
Video output	1 Vp-p Composite video output 75Ω	
Focus mode	Auto / Manual / Oneshot	
SSNR	Off / Low / Middle / High	
Back Light	Off / Low / Middle / High	
Shutter speed	Auto / 1/128 ~ 1/120,000 sec	
Sharpness control	Level (0-10)	
Motion Detection	On/Off	
Alarm in/out	4 Inputs / 1 Relay Output	
Pan/Tilt angle	360° Endless / 92°	
Pan speed	0.1° ~ 240°/sec (64 Levels)	
Preset point	250 Presets	
Preset Speed	Max 360°/sec (64 Levels)	
Privacy zones masking	4 Zones	
Operating temperature	-40°C ~ 50°C (-40°F ~ 122°F)	
Operating Fan/Heater	Over than 45°C / Less than 5°C	
Communication system	RS-485 / 422	
OSD	Built-in	
Operating humidity	Less than 90%RH	
Dimensions	168(Diameter)mm × 175.6(Height)mm	
Weight	About 2.5Kg	
Construction	Aluminum body, Clear vandal bubble (PC)	
Power consumption	10W	
Power supply	AC24V 60/50 Hz	