

Bullet Camera

Bullet Color Camera Camera OSD Control

MODEL: CA-176W



Weatherproof

CA-176W
420 TV Lines
Dimension: 21mm(W) x 21mm(H) x 73mm(D)
3.6mm Fixed Board Lens

OSD

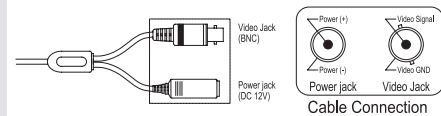
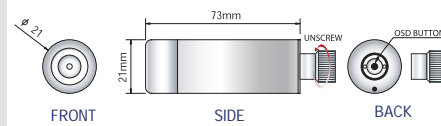


Specification

MODEL	CA-176W
Image Pick-Up Device	1/3" SONY SUPER HAD CCD
TV System	NTSC, PAL
Effective Pixels	NTSC=510(H) * 492(V) / PAL=500(H) * 582(V)
Scanning Frequency	NTSC=15.734KHz(H) / 59.94Hz(V) / PAL=15.625KHz(H) / 50.00Hz(V)
Scanning System	2:1 Interlace
Synchronization	Internal
Resolution	420 TV Lines
Minimum Illumination	0.1 LUX
S/N Ratio	More than 50dB
White Balance	ATW/AWB/FIXED/MANUAL
Gamma Characteristic	r=0.45
Video Output	CVBS : 1.0Vp-p 75ohm
Electronic Shutter Speed	NTSC=(1/60sec~1/100,000sec) / PAL=(1/50sec~1/100,000sec)
OSD	Built-in
BLC	ON / OFF
AGC	ON / OFF
Day&Night(Color / B/W)	Color / Auto / B/W
Display Adjust	Contrast / Sharpness / CB-Gain / CR-Gain
Privacy	On/OFF (4 Programmable Zone)
Power Supply	DC 12V
Power Consumption	120mA
Operational Temp.	-10 ~ +50 Deg C. RH 95% Max.
Storage Temp.	-20 ~ +60 Deg C. RH 95% Max.
Weight	Approx 70(g)

* INSTALLATION

Dimension & Cable Connection



* SETTINGS

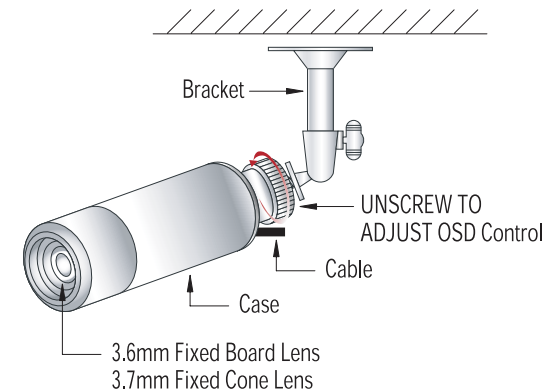
Settings can be made using the OSD buttons located on the back of the camera.



CAMERA OPERATION (SET-UP UP DOWN LEFT RIGHT)

	* MANUAL	* DC / VIDEO	
LENS	* AUTO	* MANUAL	* FLK
SHUTTER	* FIXED		
BLC	* ON	* OFF	
AGC	* ON	* OFF	* MIDDLE
WHITE BALANCE	* ATW	* AWB	* FIXED
	* MANUAL		
FUNCTION	* CAMERA ID	* MIRROR	* DAY NIGHT
	* MOTION	* PRIVACY	* GAMMA
	* RESET		
ADJUST	* CONTRAST	* SHARPNESS	
	* CB-GAIN	* CR-GAIN	
EXIT			

* How to Install



* Camera Adjustment

- 1 Connect Video & Power Line (12V DC Regulated Power)
- 2 Please set the position where you want to connect the camera.
- 3 Loosen the locking screws and adjusting camera angle.
- 4 Combine each camera parts and lock & tight the each locking screws.